

To meet your custom application needs
Sky Climber developed and introduces a new innovative

SKY PI **CE approved**

The Sky Climber Powered BMU / PI
(Building Maintenance Unit / Permanent Installation)
is designed to provide efficient working access as permanent installation to many types of
buildings and structures.



TECHNICAL SPECIFICATIONS

The rated load of the Sky PI is 240 kg

Hoist: Compact 400

Safety device :

- Motor: 1 or 3phase
- Voltage: 220-240 / 380-415 V
- Current: 3,6 A - 2,4 A
- Power: 0,55 kW
- Weight: 35 kg
- Working load limit: 400 kg
- Steel Wire Rope: 8 mm
- Climbing speed : 8.4m/min

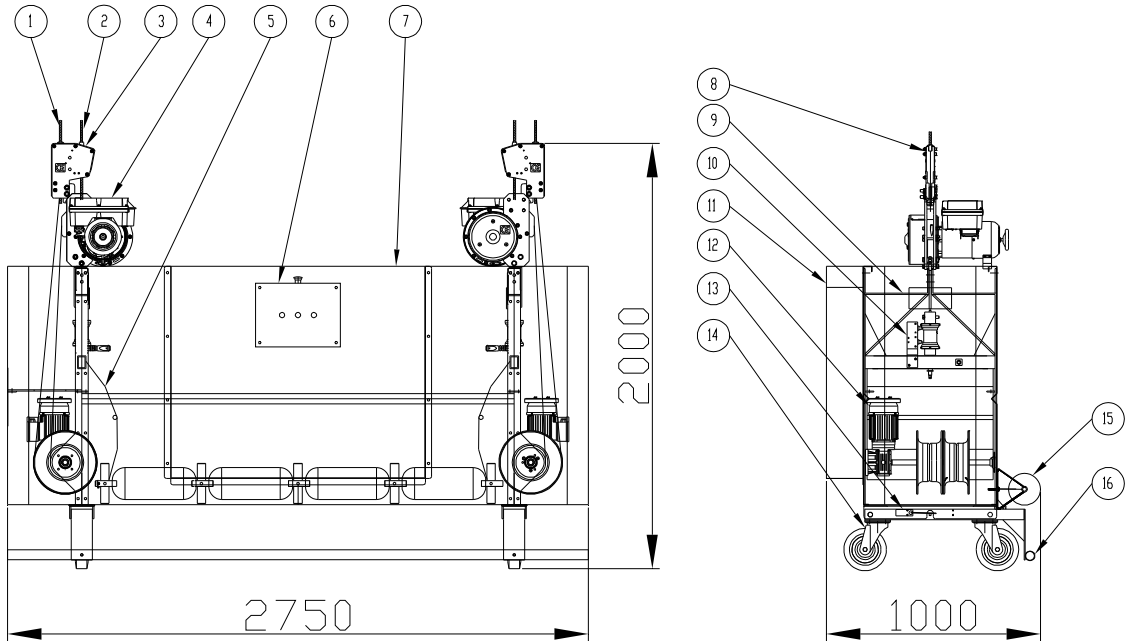
- * Sky Grip :
- Steel Wire Rope : 8mm
- Activation : 10° inclination
- * Option – Sky Lock overspeed
- * Bottom trip
- * Overload/underload

Central Control Box

- ° Supply voltage : 400V / 50Hz / 3 ph
- ° Control voltage : 24

Other motor options upon request





1	Safety rope	9	Steel Stirrup
2	Suspension rope	10	Overload/underload safety device
3	Sky Grip,	11	Electric supply cable collection bin
4	Compact Hoist	12	Wire winder 65m standard *
5	Wire winder protection	13	Bottom limit switch
6	Central Control Box	14	Castor wheel
7	Sky Climber PI Cradle	15	Soft Wall roller
8	Top limit switch and ultimate top limit switch	16	Bottom trip bar

* different lengths available on request

For over 50 years, Sky Climber has been designing, engineering and manufacturing quality hoists, rigging solutions and modular work platforms.

Safety • Service • Solutions

You can always depend on Sky Climbers support team to get more information about our products or services

For more information please contact your local representative :

